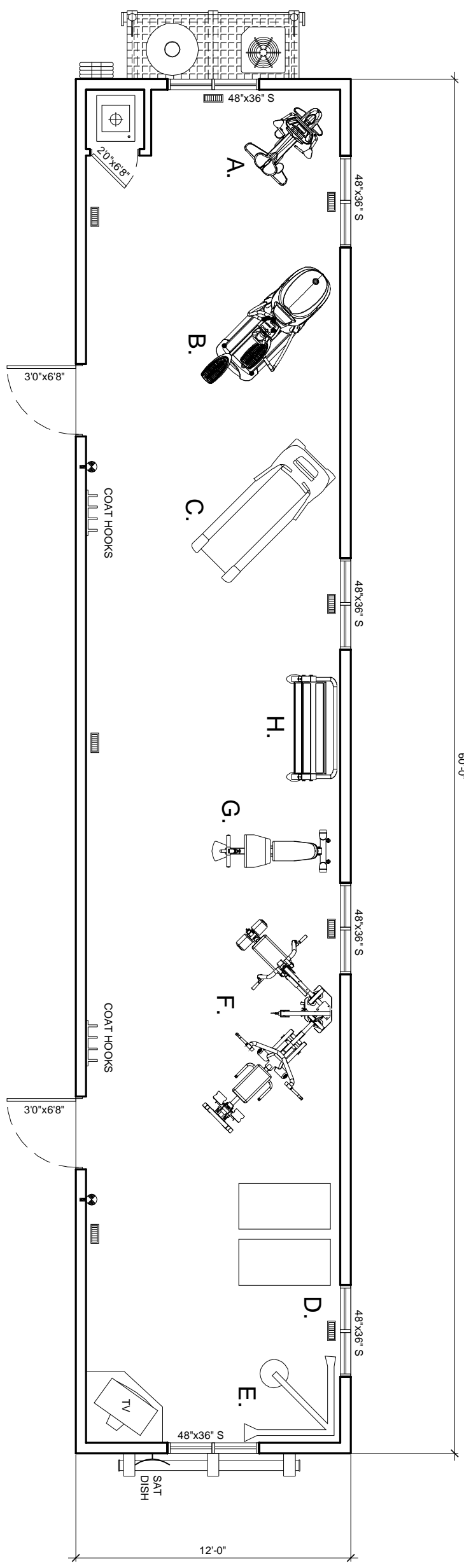


60'-0"



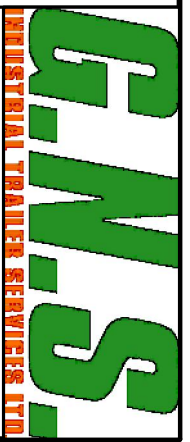
CARDIO EQUIPMENT

Model	Quantity
A. Vision 3700HRT Upright Cycle	1
B. Vision 6700HRT Elliptical	1
C. Vision 9700S Treadmill	1
D. Stretching Mats 2'x4'	2

STRENGTH EQUIPMENT

Model	Quantity
E. TKO Heavy Bag & Stand	1
F. Hoist H2200 Multistation Gym	1
G. Hoist Flat / Incline / Decline Bench	1
H. Hoist Dumbbell Rack w/ 5 to 50lb Weights	1

1 MAIN FLOOR PLAN
SCALE: 3/16" = 1'-0"



1174716 - 231 Street
Edmonton, AB T5S 2C5
PHONE: (780) 451-8088
FAX: (780) 451-8090
www.gnstrailers.com

Copyright reserved. This drawing is an instrument of service for the project specified. The drawing and design are exclusive property of GNS Industrial Trailer Services Ltd and may not be used in whole or in part without company's written consent.

NOTE: THE CONTRACTOR SHALL CHECK AND VERIFY ALL DIMENSIONS AND MEASUREMENTS SHOWN ON DRAWINGS WHERE DISCREPANCIES OCCUR THEY SHALL BE REPORTED TO GNS INDUSTRIAL TRAILER SERVICES LTD. BEFORE PROCEEDING WITH ANY PORTION OF THE WORK IN THE CONTRACT.

no.	description	revisions	date	checked

Seal:

Comments:

Client: **GNS INDUSTRIAL TRAILER SERVICES LTD.**

Project: **12' x 60' FITNESS UNIT**

Drawing: **MAIN FLOOR PLAN**

Date: 25/11/2010	Drawn By: B. Lovric
Scale: AS SHOWN	File: GNS10_010
Dimensions: INCHES	Drawing:
Job: N/A	
Program: AutoCad 2007	
Sheets: 1 of 1	A-1